



AM-JET-8

AM-JET-5

Features

- Eliminates need to remove probe for cleaning
- Installs quickly and easily
- Adapts to any water supply over a wide pressure range (40-120 psi)
- Disassembles for easy cleaning.

Applications

- Industrial wastewater
- Municipal wastewater
- Food, dairy and beverage

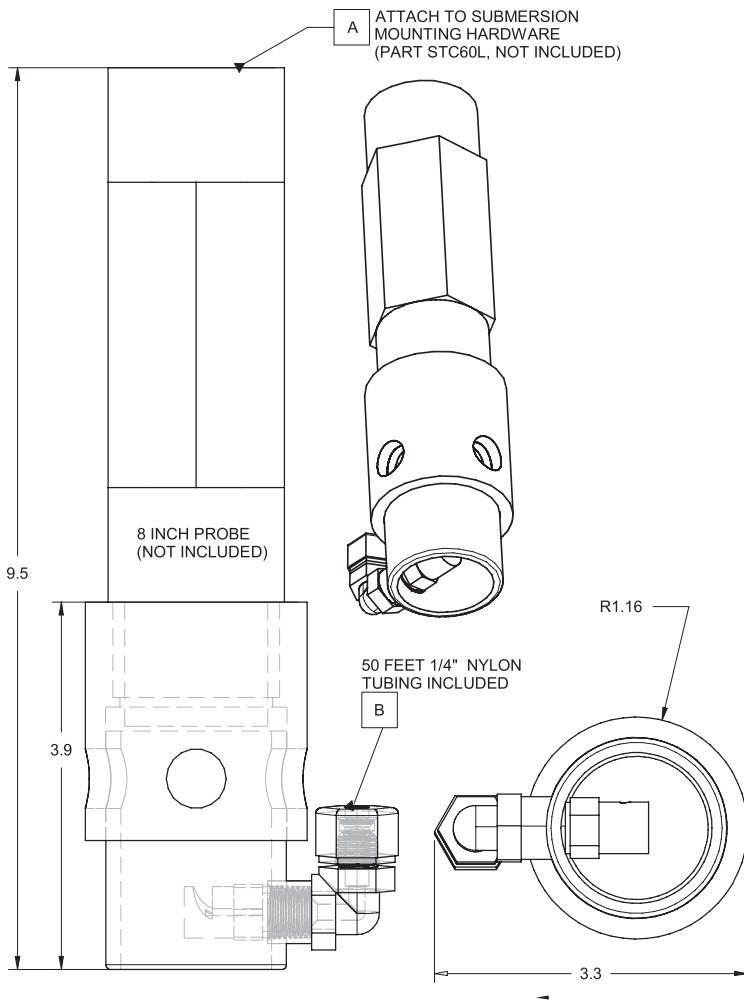
Description

The AM-JC is a simple, cost-effective solution for keeping submerged probes clean. It screws on to the front of a fixed insertion (P60C-8 and P60C-5) probe. A stainless steel nozzle directs spray toward the process electrode and salt bridge.

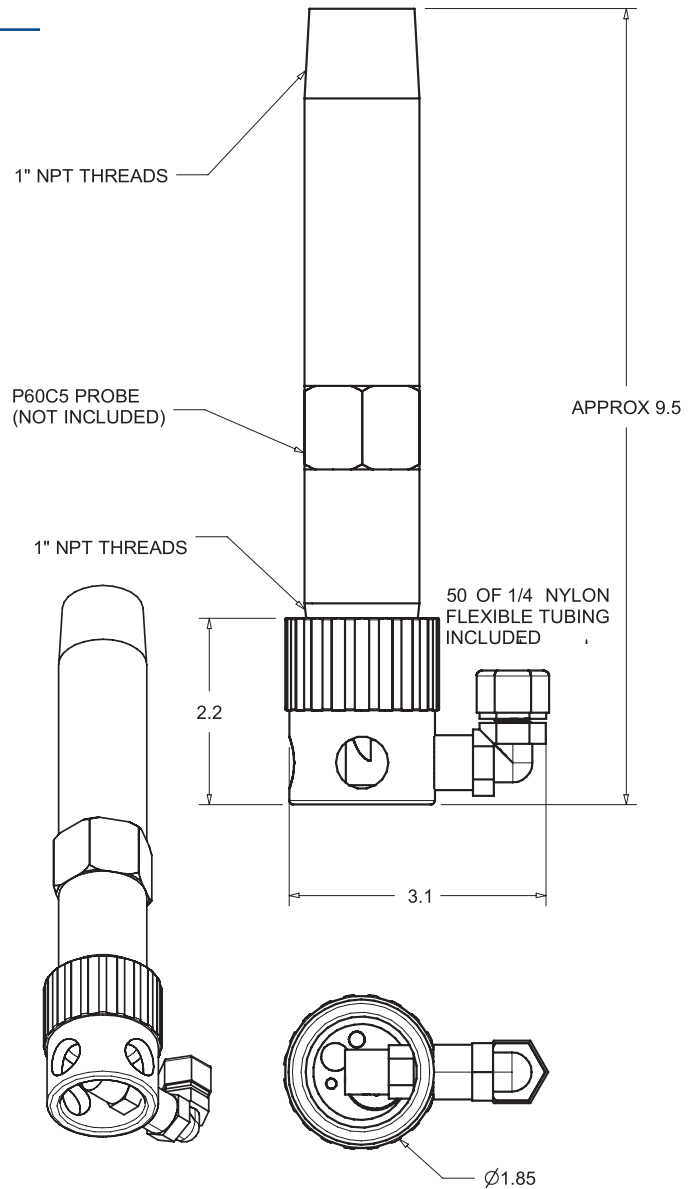
Water flow through the Jet Cleaner can be controlled by a simple solenoid valve that attaches to the 1/4" nylon tubing (included). The jet cleaner can be used as a probe protector simply by removing the jet fitting.

Model AM-JET-8 & AM-JET-5 Jet Cleaner

Dimensions



AM-JET-8



AM-JET-5

Specifications

Compatible	P60C8 1.5" NPT Fixed Insertion Probes
Flow Rate	3.7 gpm at 60 psi, wide angle deflected spray.
Pressure Range	40 to 120 psi
Wetted Materials	PVC, CPVC, 304SS, Nylon
Tubing	1/4" nylon, 50 ft. attached via compression fitting.
Shipping Weight	1 lb

Order Information

P60R8	AM-JET-8
P60R5	AM-JET-5